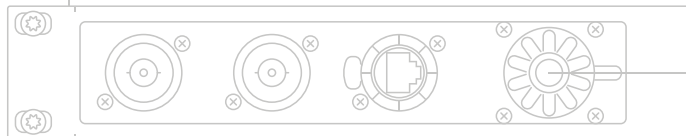
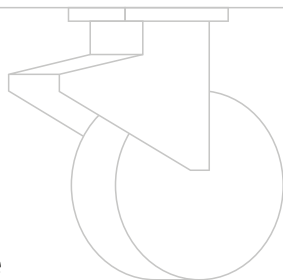


rackmount for ml:series

—
product information
and installation guide



sonible ml:mio





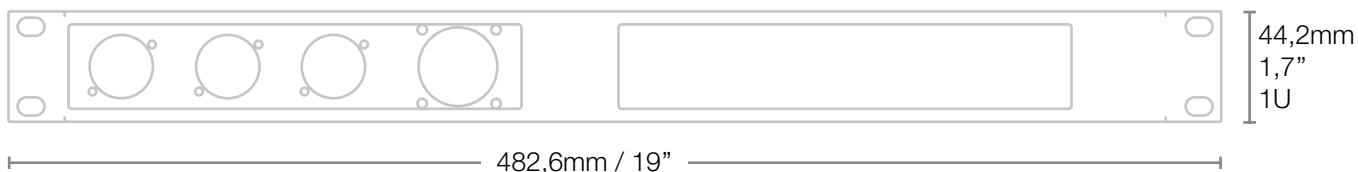
introduction

The sonible rackmount adapter can hold up to two devices from the sonible ml:series. The ml:series consists of the USB DI-Box ml:1 and the MADl converter ml:mio. Since both devices have the same housing, they can be inserted and exchanged as desired.

Depending on requirements, there are three ways to mount the USB DI-Box ml:1 and the MADl converter ml:mio. These sturdily constructed devices can then be screwed securely into any rack and kept safe from damage during transport. There is also the option to include a rack panel for three D-Format sockets and HMA connectors which can all be freely assigned.

- ✔ Holds up to two ml:series devices
- ✔ Optional rack panel for three D-Format and HMA connectors
- ✔ Easy installation and mounting
- ✔ For touring or permanent installation

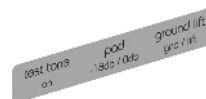
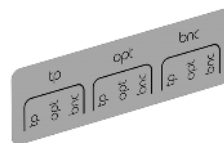
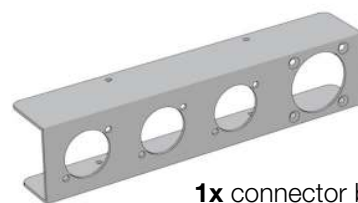
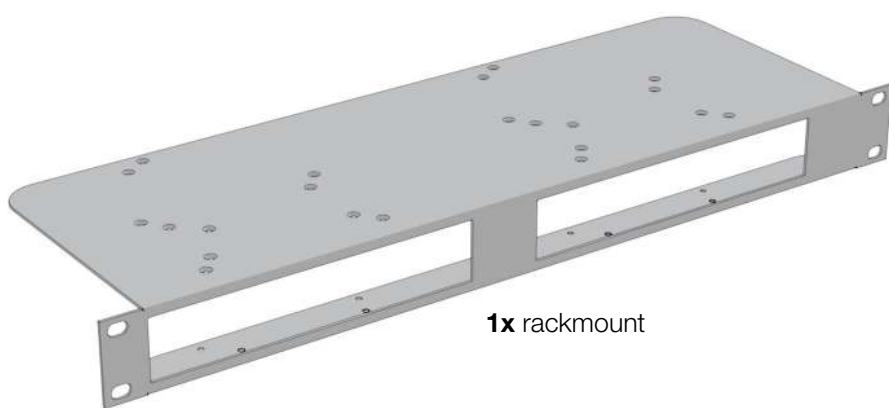
weight & dimensions



depth: 150mm / 5,9"

weight: 1,35kg / 3,0lbs

contents

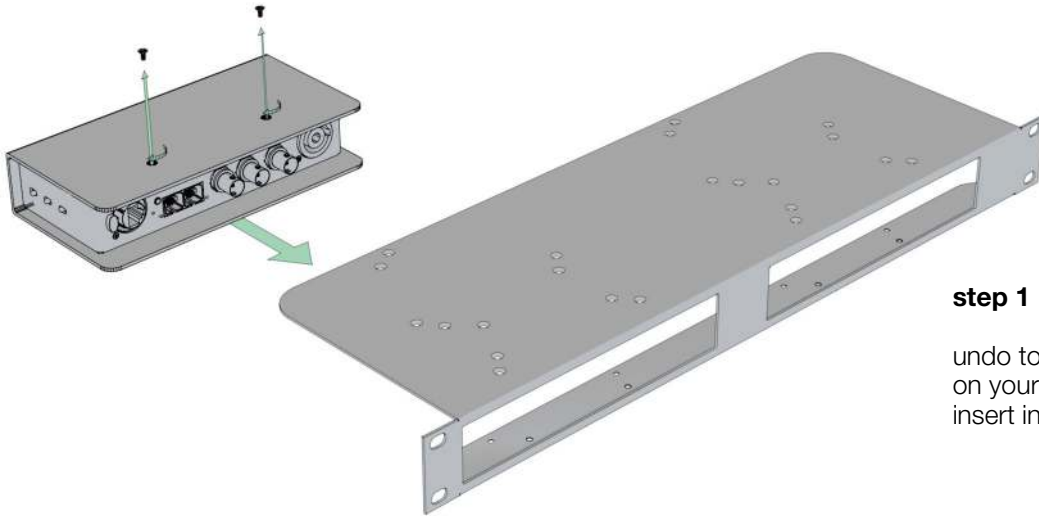


4x countersunk 6mm
M3 TX10 screws

6x countersunk 8mm
M3 TX10 screws

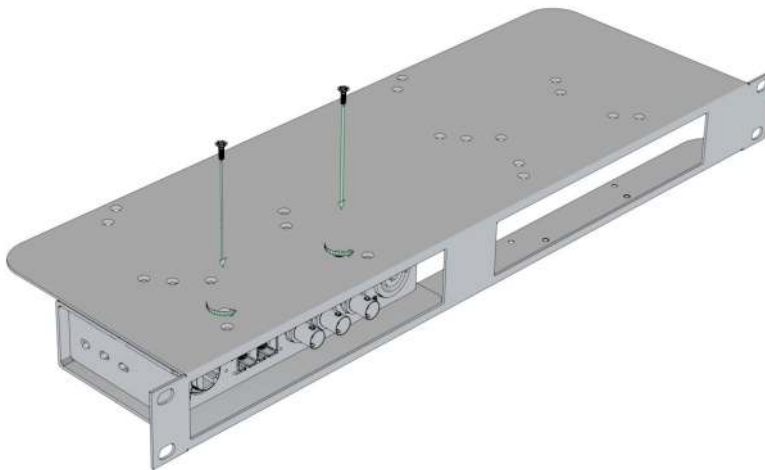


installation option 1 - visible outputs



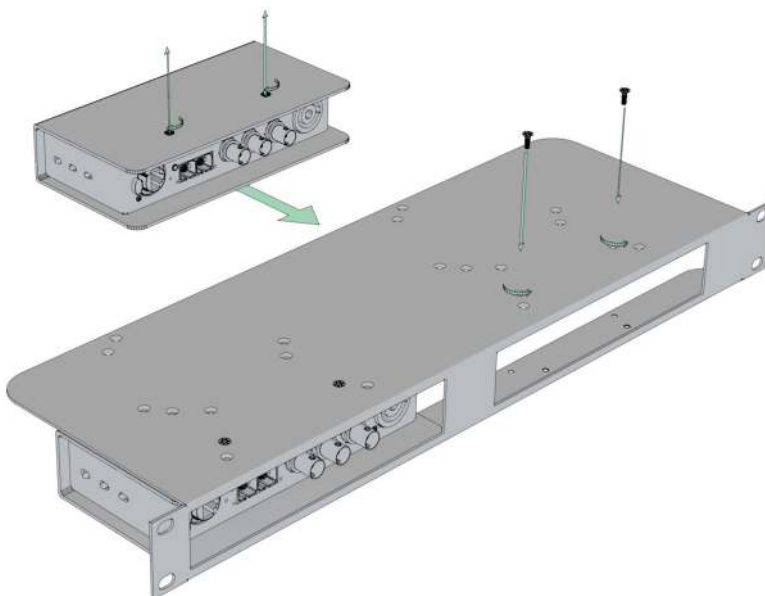
step 1

undo top screws
on your device,
insert into rack



step 2

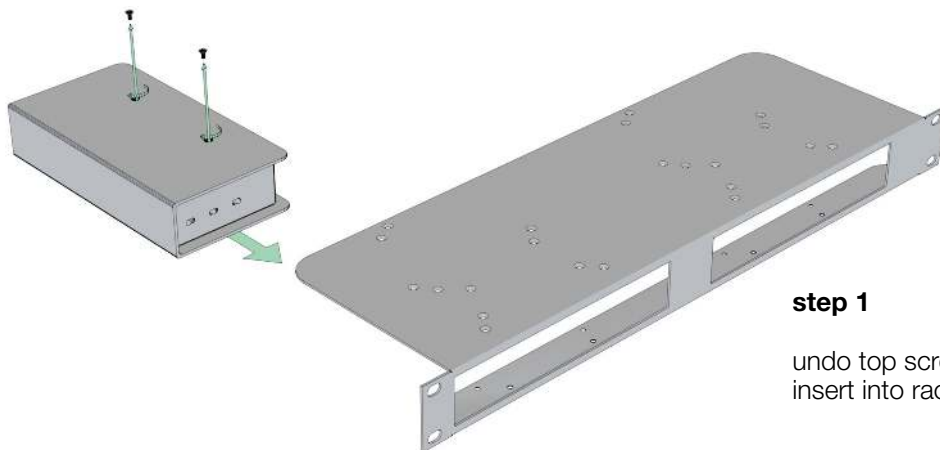
screw in
8mm TX10 screws



step 3 (optional)

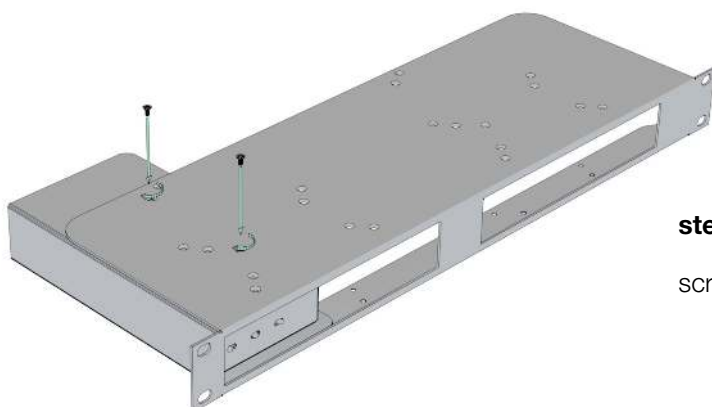
insert additional device

installation option 2 - visible switches



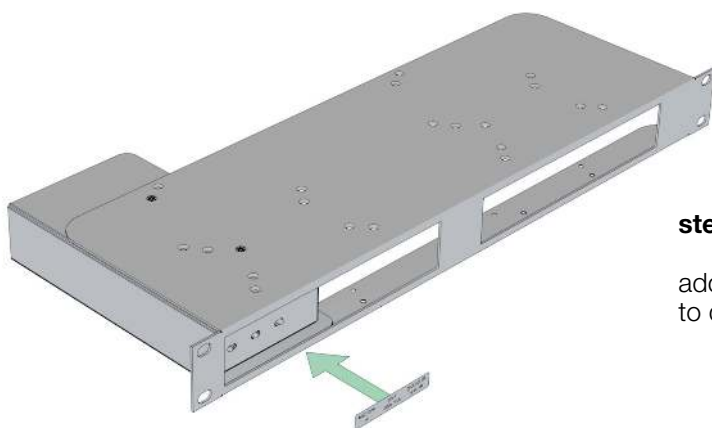
step 1

undo top screws on your device,
insert into rack



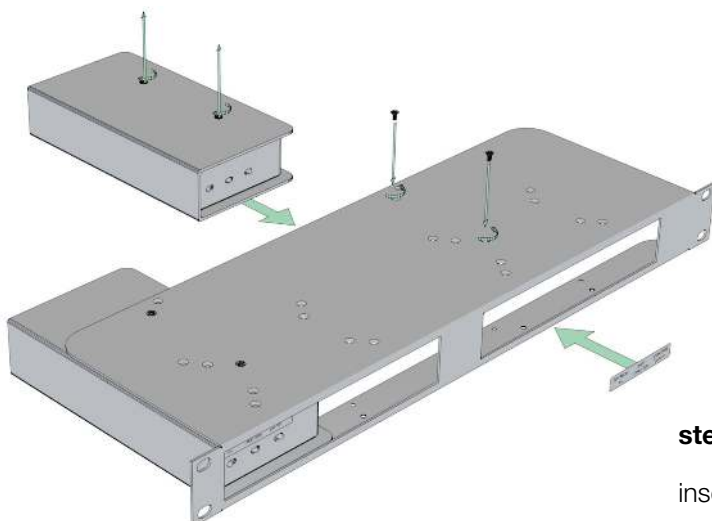
step 2

screw in 8mm TX10 screws



step 3

add matching routing sticker
to device

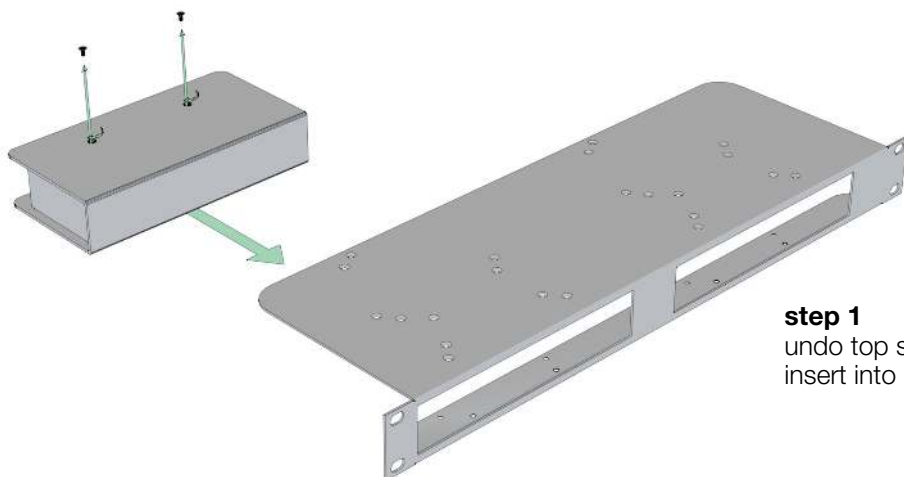


step 4 (optional)

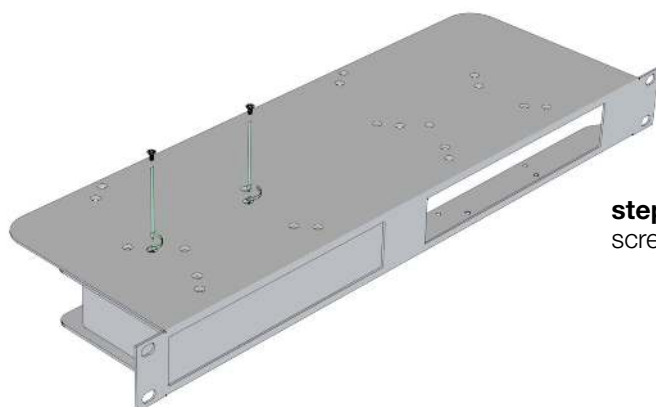
insert additional device



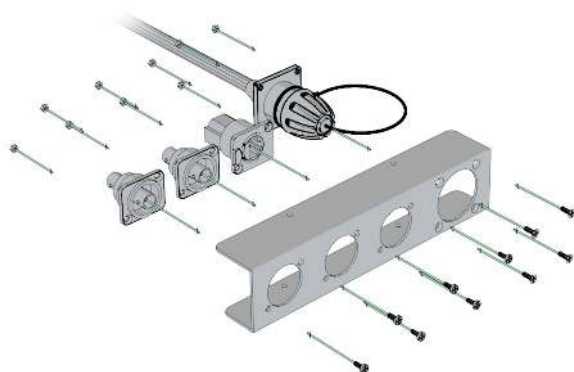
installation option 3 - with output blind



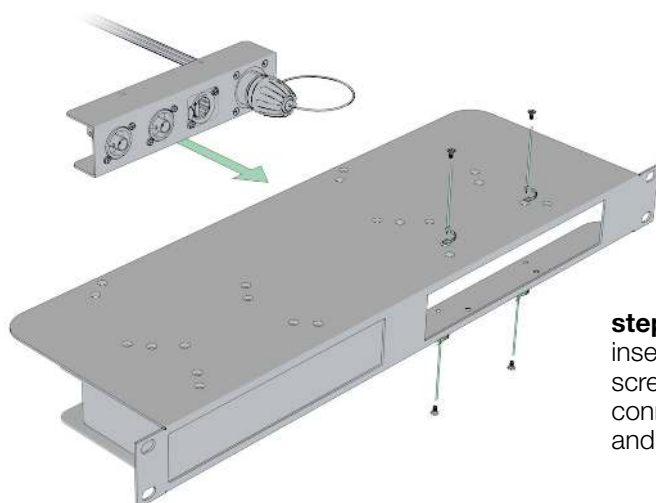
step 1
undo top screws on your device,
insert into rack



step 2
screw in 8mm TX10 screws



step 3
attach inputs of your choosing
(not provided)



step 4
insert output blind,
screw in 6mm screws,
connect ml:mio
and outputs in blind





sonible GmbH

Haydngasse 10

8010 Graz

Austria

+43 316 91 22 88

contact@sonible.com

www.sonible.com